

AI Road Traffic 5G Pro Bullet Plus Camera



IP67

AF Lens



DATASHEET

KEY FEATURES

- ▶ Smart IR II (Combining the High Beam and Low Beam to adjust IR intensity to fit different lighting conditions.)
- ▶ P2P (Remotely access the camera using 5G network via P2P with hassle-free setup and easy connection.)
- ▶ 100fps High Frame Rate (Camera can easily catch images with no latency despite of the high-speed movement.)
- ▶ HLC (High Light Compensation. Improving image visibility under strong light sources.)
- ▶ Defog (Defog technology. Restoring clear images in hazy and foggy weather.)
- ▶ Integrated Cable Management (Combining the power interface, PoE port, and other interfaces in the base neatly.)
- ▶ 256G (Supporting ultra-large external microSD/SDHC/SDXC card storage up to 256G.)
- ▶ Smart Stream (Bandwidth, storage and bit rate are saved with Smart Stream On, eg, H.265+ saves 70%~80% bandwidth that of H.264.)

5G Technology

Camera responsiveness and real-time monitoring can be greatly enhanced by the larger bandwidth and lower latency of 5G networks, not to mention a leap in ultra-high-definition video or images. The 5G camera comes with its 5G cellular module, which is fit for some scenarios where wiring is inconvenient, and its higher performance of mobility, security and coverage also bring new opportunities for the industry.



3 in 1 Super WDR Pro & 0.002Lux Ultra Low-light

140dB Super WDR Pro combines 3 frames with multiple exposures to get the optimal images especially moving subjects in high contrast lighting situations. Meanwhile, cameras can capture full-color images in extremely low-light conditions reaching 0.002Lux without extra light supplement.



AI-powered LPR Algorithm

Based on AI algorithm, the LPR function provides value-added data via a pre-trained deep learning model, which can not only recognize vehicle plates in real time with high accuracy, but also identify more vehicle features, like vehicle type, color, etc., generating powerful security and traffic insights.



Easy Deployment and Compact Structure

5G antenna is built outside the camera and the 5G module is directly merged inside the camera. By inserting the SIM card, you can monitor in places where network wiring is not convenient. Versatile interface and integrated junction box ensure installation neat and tidy.



AI Road Traffic 5G Pro Bullet Plus Camera



		Model	TS2866-X4TGPC (2MP)
Camera	Image Sensor		1/2" Progressive Scan CMOS
	Min. Illumination		Color: 0.002Lux@F1.6 B/W: 0Lux with IR on
	WDR		140dB Super WDR Pro
	Shutter Time		1/100000s~1s
	Day/Night Mode		Day/Night/Auto/Customize/Schedule
	S/N		>55dB
Lens	Lens		8~32mm, 4X Optical Zoom
	Field of View		H44°~H13°/D51°~D15°/V25°~V7°
	Mount		Φ14
	Focus Control		Auto/Manual
	Aperture		F1.6-F1.7
	Iris Control		Auto
Road Traffic Management	Max. Vehicle Speed		200km/h
	Recognition Accuracy		>95%
	Coverage		Support simultaneous detection of 4 regions
	Country Region Supported		More than 80 countries and regions
	Illumination Distance		Up to 30m
	Attributes Identification		Plate Color, Vehicle Type, Vehicle Color, Vehicle Brand, No-plate Vehicle Capture
	Smart Traffic Function		Evidence Camera Linkage, Vehicle Counting Based on Vehicle Type, Specific Lane Management
	White/Black List		Up to 1000 records inside the camera
	LPR Smart Search		Support
Interface	Ethernet		1*RJ45 10M/100M Ethernet Port
	Audio I/O		1/1
	Alarm I/O		1/1
Mobile Communication Parameter	Wireless Communication		Support 5G/4G/3G
	Frequency Bands	5G NR	n1/n2/n3/n5/n7/n8/n12/n20/n28/n41/n66/n71/n77/n78/n79
		LTE-FDD	B1/B2/B3/B4/B5/B7/B8/B9/B12/B13/B14/B17/B18/B19/B20/B21(TBD)/ B25/B26/B28/B29/B30/B32/B66/B71
		LTE-TDD	B34/B38/39/B40/B41/B42/B48
		LAA	B46
		WCDMA	B1/B2/B3/B4/B5/B6/B8/B19
	Wireless Transmission Speed	SA	DL 3.3Gbps; UL 250Mbps
		NSA	DL 3.4Gbps; UL 200Mbps
		LTE	DL 2.0Gbps; UL 150Mbps
		WCDMA	DL 42Mbps; UL 5.76Mbps
SIM Card		Nano SIM	

AI Road Traffic 5G Pro Bullet Plus Camera

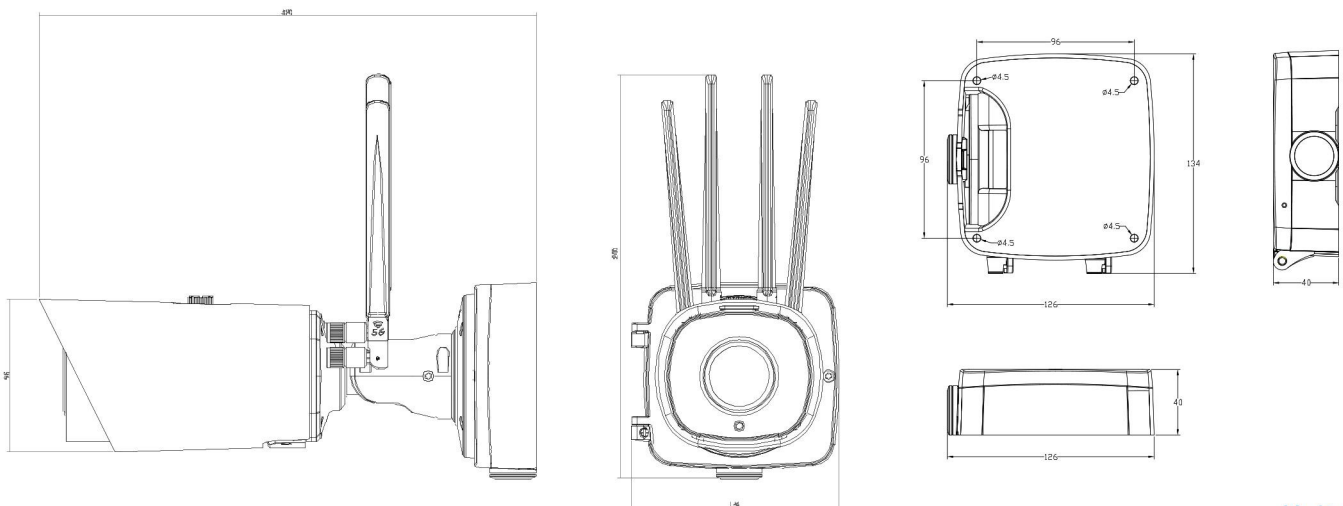
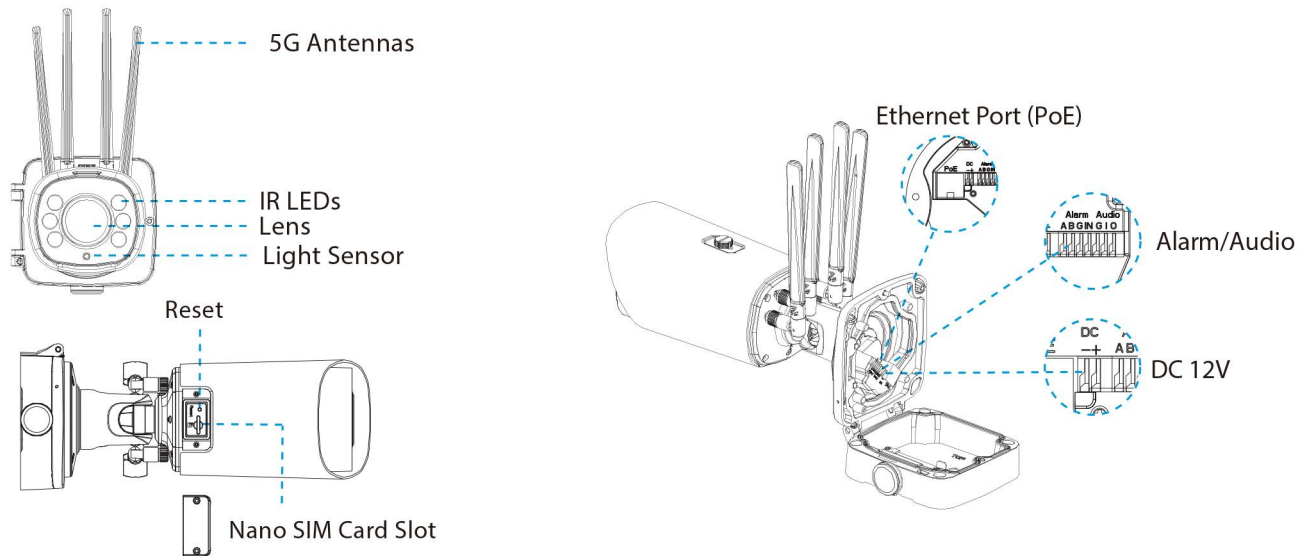


Video	Max. Image Resolution	1920x1080
	Primary Stream	60Hz/50Hz: 100fps@(1920x1080, 1280x960, 1280x720, 704x576)
	Secondary Stream	60Hz: 60fps@(704x576, 640x480, 640x360, 352x288, 320x240, 320x192, 320x180) 50Hz: 50fps@(704x576, 640x480, 640x360, 352x288, 320x240, 320x192, 320x180)
	Tertiary Stream	60Hz: 30fps@(1920x1080, 1280x720, 704x576, 640x480, 640x360, 320x240, 320x192, 320x180) 50Hz: 25fps@(1920x1080, 1280x720, 704x576, 640x480, 640x360, 320x240, 320x192, 320x180)
	Video Compression	H.265*/H.265(HEVC)/H.264*/H.264/MJPEG
	Video Bit Rate	16Kbps~16Mbps(CBR/VBR Adjustable)
	Privacy Masking	Up to 28 areas(24 mask areas and 4 mosaic areas)
	ROI	Up to 8 areas
	Image Setting	Brightness/Contrast/Saturation/Sharpness
Network	Network Storage	NAS(Support NFS, SMB/CIFS), ANR
	Protocol	IPv4/IPv6, ARP, TCP, UDP, RTCP, RTP, RTSP, RTMP, HTTP, HTTPS, DNS, DDNS, DHCP, FTP, NTP, SMTP, SNMP, UPnP, Bonjour, SIP, PPPoE, VLAN, 802.1x, QoS, IGMP, ICMP, SSL
Audio	Audio Compression	G.711/AAC/G.722/G.726
	Audio Sampling Rate	8/16/32/44.1/48KHz
	Audio Bit Rate	16~256kbps
	Two-way Audio	Support
System	System Compatibility	API, HTTP, TCP, ONVIF Profile G & Q & S & T
	Storage	Support microSD/SDHC/SDXC Card Local Storage, up to 256G
	Advanced Function	BLC, HLC, 2D DNR, 3D DNR, Defog, AWB, EIS, IP Address Filtering, AGC, Anti-flicker, Corridor Mode, Deblur, Watermark
	SIP/VoIP Support	Yes, Voice & Video-over-IP
	Event Trigger	Black/White List, Attributes Event, Motion Detection, Network Disconnection, External Input, Audio Alarm, etc.
	Event Action	FTP Upload, SMTP Upload, SD Card Record, External Output, SIP Phone, HTTP Notification, etc
General	Working Temperature	-40°C~60°C
	Working Humidity	0~95%(Non-condensing)
	Power Supply	PoE (802.3at) / DC 12V±10%
	Power Consumption	8W MAX
		14W MAX (With IR on)
	Surge Protection	4KV
	Weather Proof	Up to IP67-rated for Weather-resistant Performance (Only for camera body)
	Weight	1608g
	Dimensions	320mmX134mmX126mm 320mmX134mmX292mm (With 5G Antennas)
Warranty	3/5 Years	

AI Road Traffic 5G Pro Bullet Plus Camera



Structure Diagrams



Units: mm

Accessories Support

A62 Junction Box(Default)

Weight: 510g
Dimensions: 134*126*40mm



A01 Pole Mount

Weight: 720g
Dimensions: 170*51.5*152.6mm



A03 External Corner Bracket

Weight: 900g
Dimensions: 170*152.5*76.3mm



Milesight | www.milesight.com

Contact Us: sales@milesight.com support@milesight.com

Add: 220 NE 51st Street, Oakland Park, Florida 33334, USA
Tel: +1-800-561-0485

Add: 925, Anyang SK V1 Center, LS-ro 116beon-gil, Dongan-gu, Anvang-si, Korea
Tel: +82-31-990-7732

Add: Building C09, Software Park Phase III, Xiamen 361024, Fujian, China
Tel: +86-592-5922772

